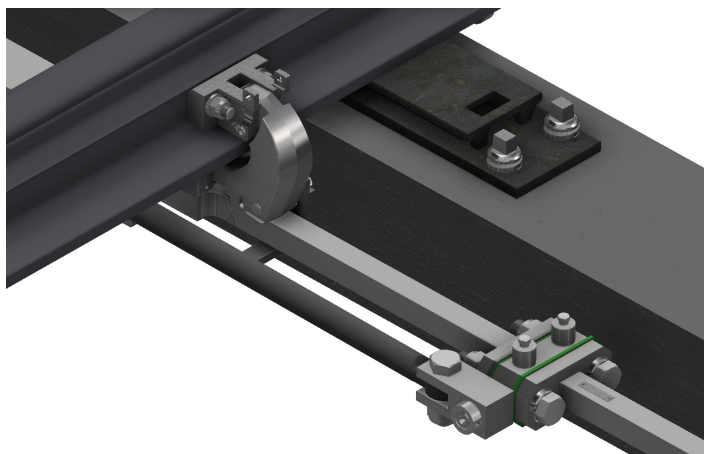




# PointSWing VZ 200

## Jaw (clamp) lock

- Simple installation and setting
- Minimum maintenance
- High railway environment resistance
- Absorption of heat dilatation
- Securing of points for speed of up to 200 kmph
- Tested for speed 230 kmph



### GENERAL DESCRIPTION

The jaw (clamp) lock PointSWing VZ 200 (further VZ 200) is designed to control point blades and movable point frogs and for their locking in the end positions.

By its concept VZ 200 belongs to trailable locks allowing sequential motion of point blades.

VZ 200 acts directly between the point blade and the stock rail. In the closed and locked position VZ 200 eliminates safely and reliably lateral forces acting on the point blade during the movement of the vehicle. In the opened position VZ 200 ensures necessary clearance between the point blade and the stock rail.

### BASIC TECHNICAL DESCRIPTION

VZ 200 is intended preferably for installation at the new points (single,

slip) of UIC 60, UIC 54 and S 49 superstructure.

VZ 200 can also be installed at the currently operated points of R 65 and S 49 superstructure.

VZ 200 secures the point blades safely and reliably in their end positions and it is designed for speeds 160 kmph and higher.

VZ 200 enables also multiple point machine control of a single point.

VZ 200 allows longitudinal heat dilatation of point blades with no change of basic function.

Heat dilatation  $\pm 20$  mm fully complies with an actual point blade lengths and also with extreme temperature changes.

A significant advantage of VZ 200 is the stability of set point parameters

and the environmental properties.

VZ 200 can be applied for different types of points (with one, two, three and more locks) and it can be installed between sleepers or inside the hollow sleepers.

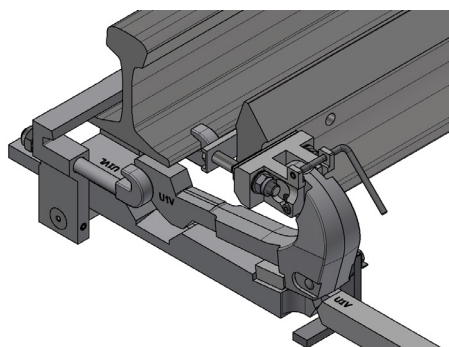
The opening of point blades can be structurally adjusted to any value according to the requirements of the point, even for multi-lock points, slip points or for a movable toe of frogs.



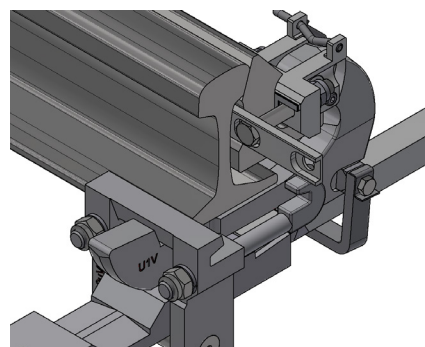


## BASIC TECHNICAL PARAMETERS

Point blades opening	170 mm, 160 mm, 145 mm, 125 mm ... 65 mm, movable toe of frogs
Temperature range	-40 to +70 °C
Service life	25 years



*VZ 200 in open position*



*VZ 200 in closed position*

